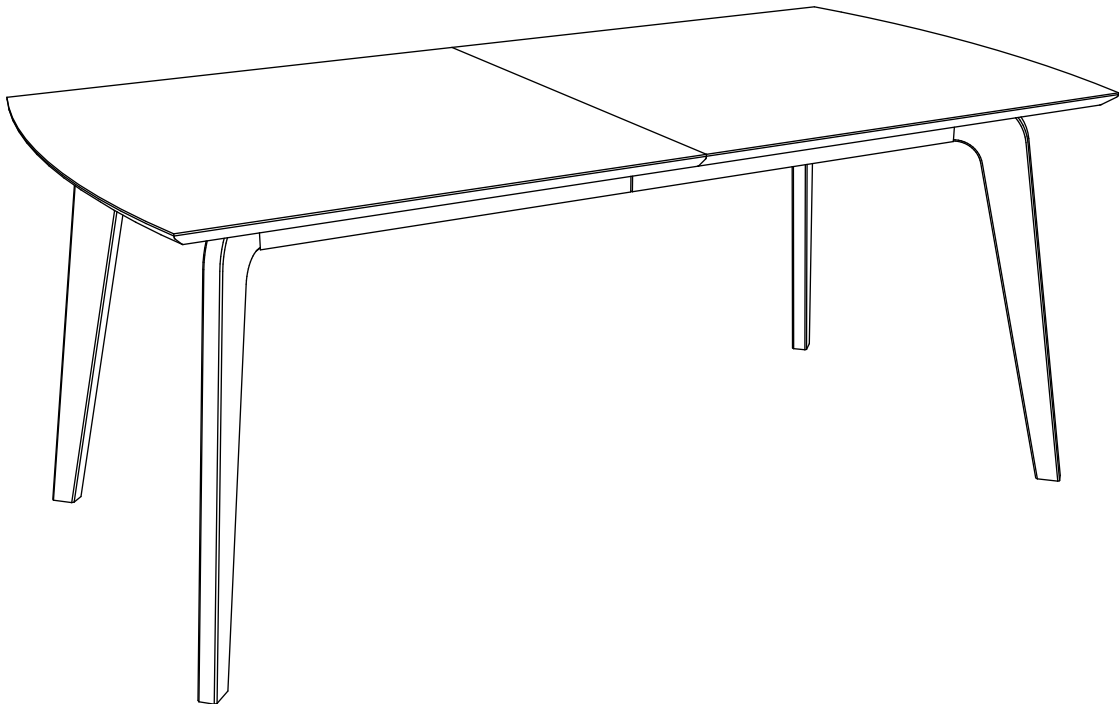


LYNDON FURNITURE

ASSEMBLY INSTRUCTIONS

Brighton Extension Table

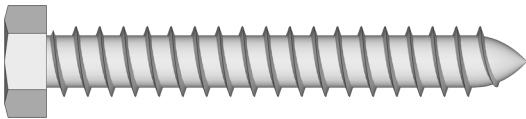


Hardware List:



Flat Washer (x8)

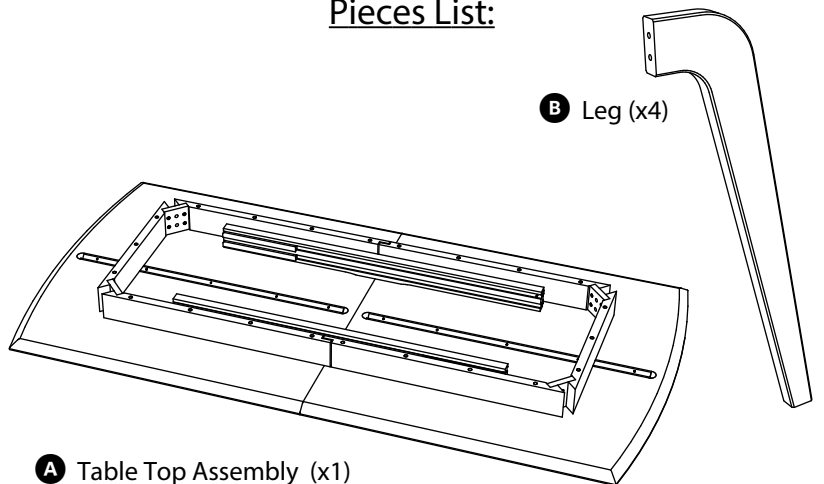
lag bolt is actual size



2 1/2" Lag Bolt (x8)

Pieces List:

B Leg (x4)



A Table Top Assembly (x1)

ASSEMBLY INSTRUCTIONS

Brighton Extension Table

ATTENTION  Do Not Assemble with Power Tools

- 1) Turn piece **A** upside down and place on a soft, non-abrasive surface. See *Figure 1*.

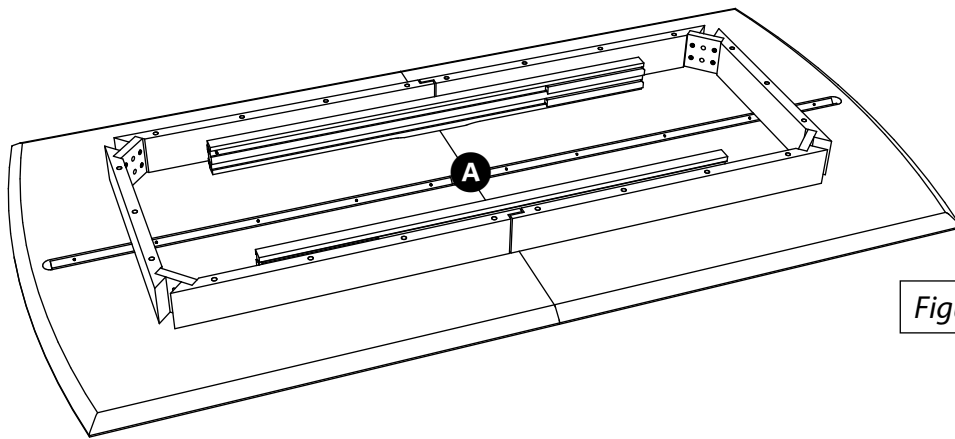


Figure 1

- 2) Align the holes in the skirt corners of piece **A** with the two threaded rods in piece **B**. See *Figure 2*.
- 3) Using **2 - washers** and **2 - 2 1/2" lags**, loosely tighten the lags by hand. See *Figure 2*.

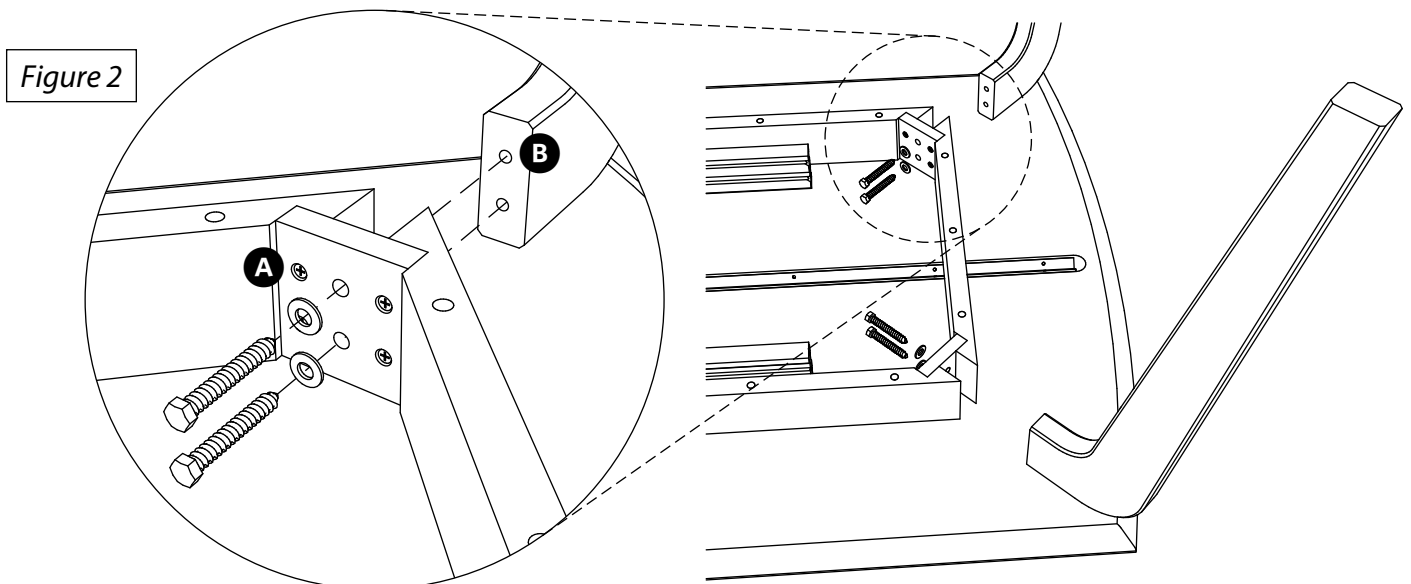


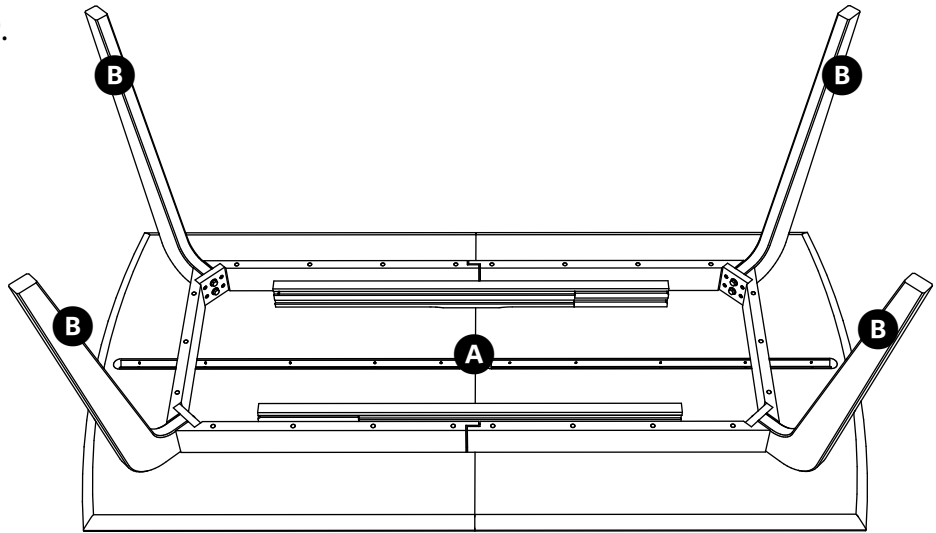
Figure 2

ASSEMBLY INSTRUCTIONS

Brighton Extension Table

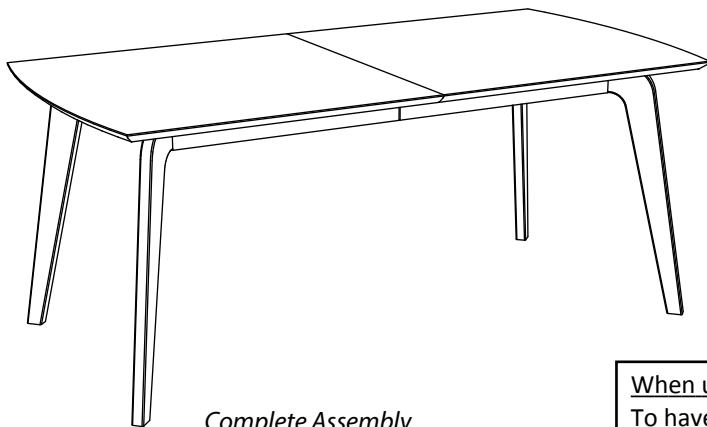
ATTENTION  Do Not Assemble with Power Tools

4) Repeat Step 3 for each piece **B**.



5) After all four legs are attached, finish tightening all lags into place with a wrench.

6) Carefully turn table upright.



Complete Assembly

When using leaves in an extension table

To have the best looking table top when using leaves, we recommend using the numbered leaves in the following order:

- For one leaf use leaf #1.
- For two leaves use leaf #1 and #2.
- For three leaves use leaf #1, #2, and #3.

Lyndon cannot guarantee the table top will match nor whether or not the leaves will line up correctly if this recommendation is not followed.