



EXTENSION – SINGLE-LEG TRESTLE TABLE ASSEMBLY

Base Part Location and Verification

Location	Quantity	Description	QC Check
Base Box	2	Vertical Legs	
Base Box	2	Top Straps	
Table Box	2	Bottom Feet	
w/ Leaves	1	Stretcher	

Hardware List and Verification

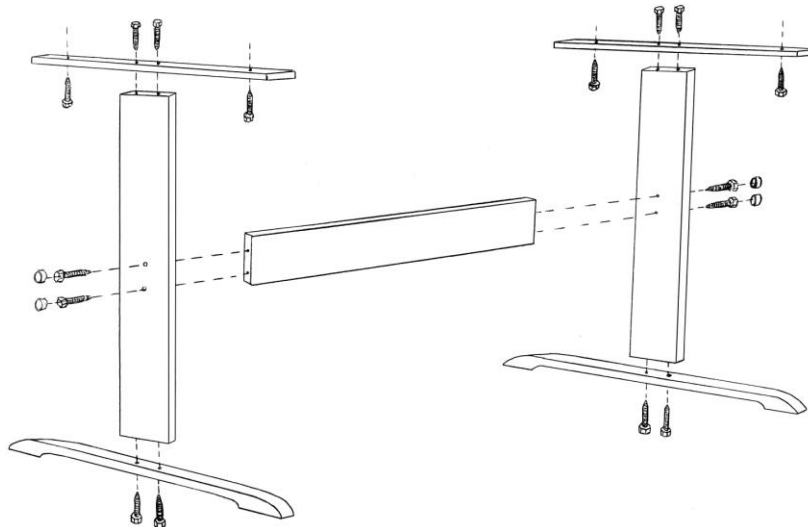
Quantity	Description	QC Check
16	2" Lag Bolts	
16	Flat Washers	
4 (threaded into Bottom Feet)	Levelers	
5 (1 Spare)	3/4" Button Plugs	

QUALITY CONTROL CHECK PERFORMED BY: _____

ATTENTION  **Do Not Assemble with Power Tools**

ASSEMBLY INSTRUCTIONS:

- 1) **LOOSELY** ATTACH THE TOP STRAPS TO THE END OF EACH LEG WITH **4 - 2" LAG BOLTS**.
- 2) USE **4 - 2" LAG BOLTS** TO ATTACH THE BOTTOM FEET TO THE **WIDE END** OF THE LEG.
- 3) **LOOSELY** ATTACH THE STRETCHER WITH THE **4 - 2" LAG BOLTS** TO BOTH LEGS. BE SURE THAT THE COUNTERSINK (WIDER END OF THE HOLE) SIDE FACES OUTWARD. THIS COMPLETES THE BASE ASSEMBLY.
- 4) TURN THE TABLE UPSIDE DOWN AND PLACE ON A SOFT, NON-ABRASIVE SURFACE.
- 5) ALIGN THE HOLES IN THE TOP STRAPS WITH THE HOLES IN THE BOTTOM OF THE EXTENSION SLIDES. ATTACH THE BASE USING THE OTHER **4 - 2" LAG BOLTS**.
- 6) FINISH TIGHTENING ALL LAG BOLTS INTO PLACE.
- 7) PRESS PLUGS INTO PLACE OVER THE STRETCHER LAG BOLTS. IF PLUGS CAN NOT BE SECURED BY HAND, USE A RUBBER Mallet OR FOLD A SOFT CLOTH OVER THE PLUG AND **GENTLY** TAP INTO PLACE WITH A HAMMER.
- 8) CAREFULLY TURN TABLE UPRIGHT. ADJUST LEVELERS AS NEEDED.



EXTENSION LEAF/LEAVES SELF STORE NOTES:

EXTENSION TABLES OF THIS TYPE ARE NOT AVAILABLE WITH A SELF STORING LEAF/LEAVES OPTION.