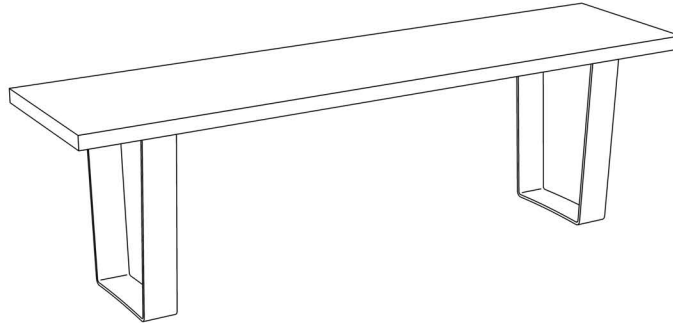


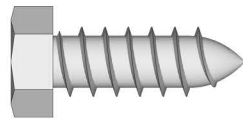
## ASSEMBLY INSTRUCTIONS

### Vergennes Bench



#### Hardware List

*lag is actual size*



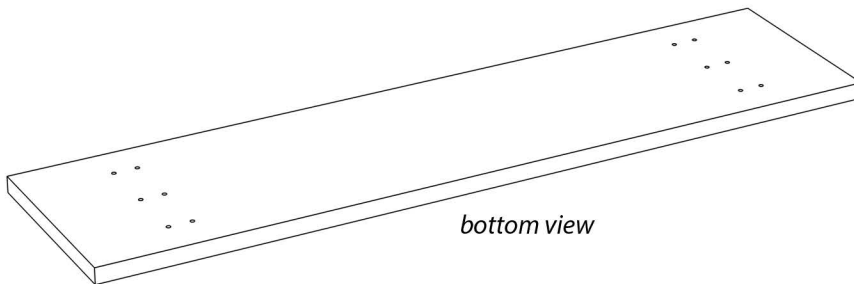
1" Lag (x12)



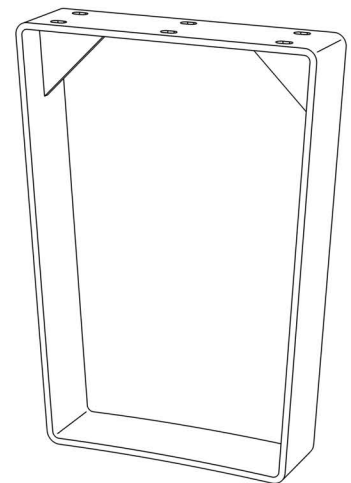
Washer (x12)

**ATTENTION**  Do Not Assemble with Power Tools

#### Pieces List



**A** Bench Top (x1)



**B** Base (x2)

## ASSEMBLY INSTRUCTIONS

### Vergennes Bench

**ATTENTION**  Do Not Assemble with Power Tools

- 1) Turn the piece **A** upside down and place on a soft, non-abrasive surface.
- 2) Align the holes in the **B** pieces with the pre-drilled holes in piece **A** and firmly attach using **12 - 1" lag bolts**. See *Figure 1*. This completes the assembly.

Figure 1

